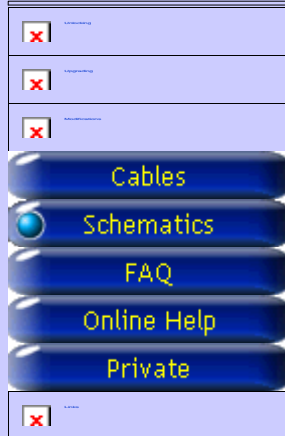


NOKIA BASED RESOURCE CENTRE

Schematics



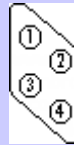
LABEL	DESCRIPTION
MBUS	Bidirectional serial bus
FBUS RX	Serial data in
FBUS TX	Serial data out
GND	Logic ground
BTEMP	Pulse to switch phone on/off
VPP	Instructs FLASH to use supply voltage as programming supply.
VIN	Charging voltage
CHCTL	Charger control
XMIC	Analogue audio input
SGND	Audio signal ground
XEAR	Analogue audio output
LGND	Logic and charging ground

Nokia 3210 Pin-out (right edge of battery)



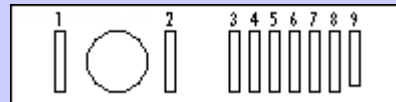
- 1 - BTEMP
- 2 - FBUS TX
- 3 - GND
- 4 - MBUS
- 5 - FBUS RX
- 6 - Vpp

Nokia 3310 Pin-out (under battery)



- 1 - GND
- 2 - FBUS TX
- 3 - MBUS
- 4 - FBUS RX

Nokia 51/6x/71xx Pin-out (bottom edge of phone)



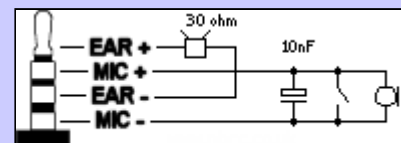
- 1 - VIN
- 2 - CHCTL
- 3 - MIC
- 4 - SGND
- 5 - EAR
- 6 - MBUS
- 7 - FBUS RX
- 8 - FBUS TX
- 9 - LGND

Nokia 8210/8850 Pin-out (under battery)



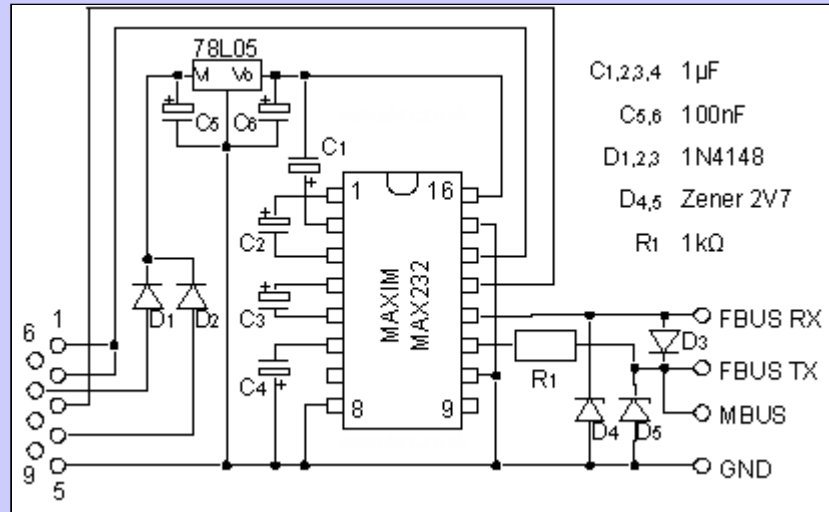
- 1 - MBUS
- 2 - GND
- 3 - FBUS RX
- 4 - FBUS TX
- 5 - Vpp

Handsfree with Answer button

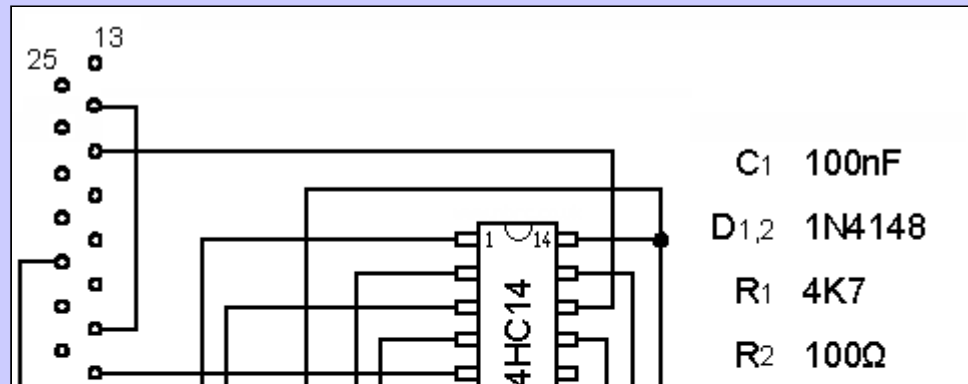


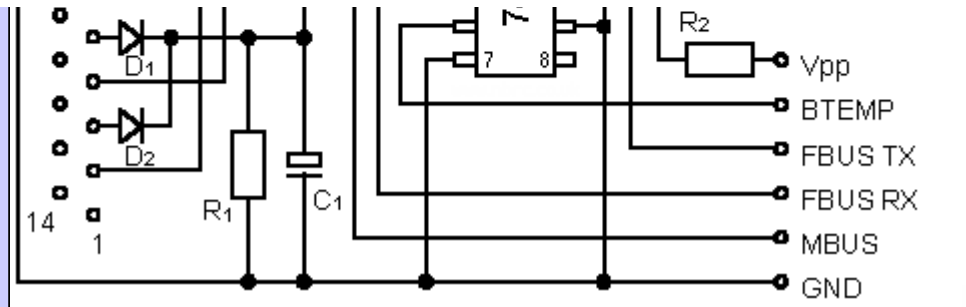
2.5mm Jack

FBUS/MBUS Circuit



Flash Circuit





[Unlocking](#) • [Upgrading](#) • [Modifications](#) • [Cables](#) • [Schematics](#) • [FAQ](#) • [Online Help](#) • [Private](#) • [Links](#)

© 2001 NBRC



A White Domino Publication

[NBRC Privacy & Security Policy](#)

For problems or questions regarding this web please [contact the Webmaster](#).

Last updated: 29 April, 2002



There have been **PUBLICITE FILTREE** visitors since 19-01-2001

The accuracy of this information depends on the uptime of the website and counter hosting servers and is provided only as a guide.